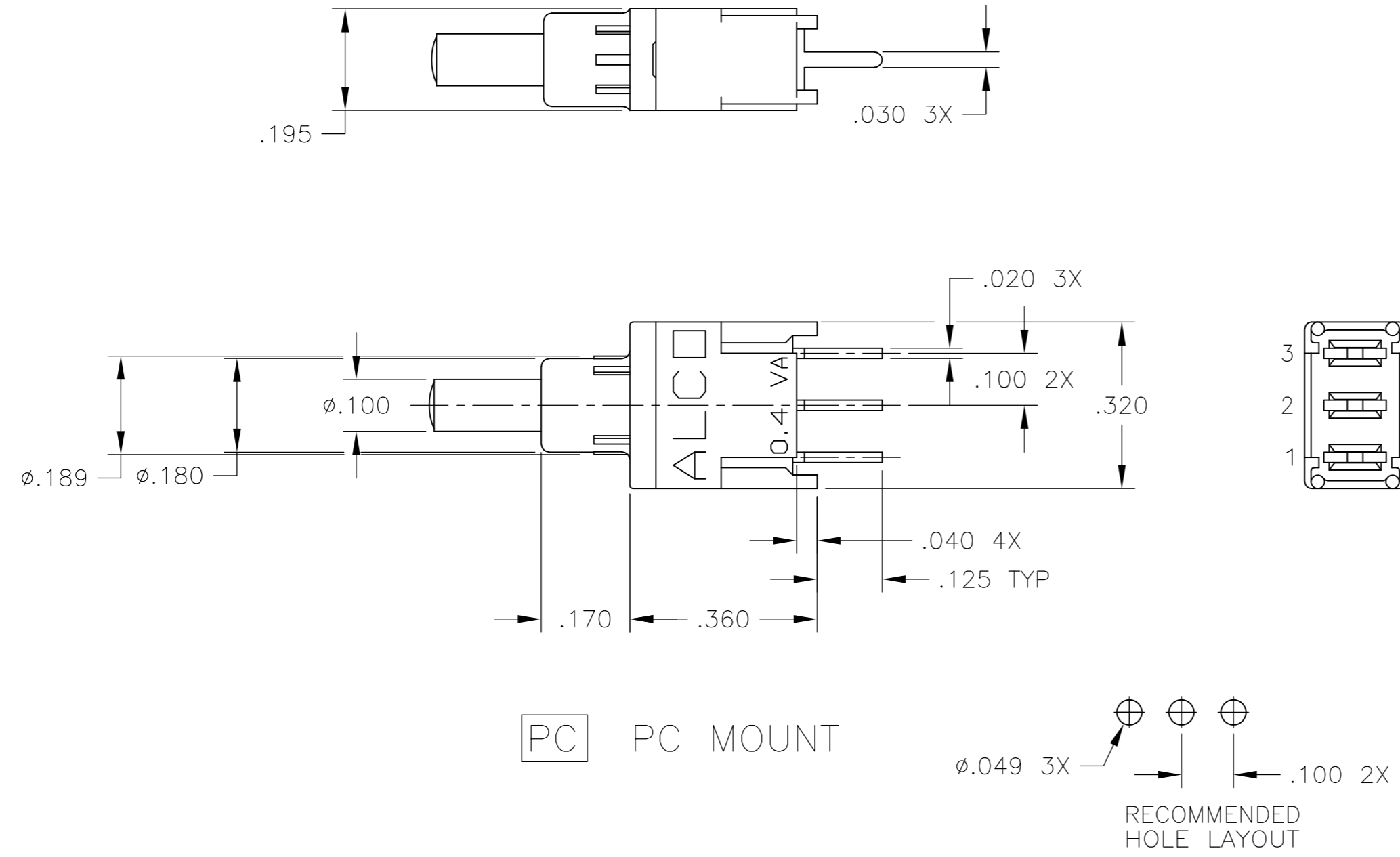


THIS DRAWING IS UNPUBLISHED. RELEASED FOR PUBLICATION  
 © COPYRIGHT - By - ALL RIGHTS RESERVED.

LOC		DIST		REVISIONS			
P	LTR	DESCRIPTION	DATE	DWN	APVD		
	A2	REVISED PER ECO-15-004048	16MAR2015	NK	RH		



SPECIFICATIONS:

MATERIALS:

CASE & BUSHING: LCP  
 BUTTON: POLYAMIDE  
 SPRING: MUSIC WIRE, ZN PLATED  
 MOVABLE CONTACT: BRASS OR COPPER ALLOY, AU OVER NI PLATED.  
 BRACKET: STEEL, TIN OVER COPPER PLATED  
 TERMINALS: BRASS, TIN OVER NICKEL IN SOLDER AREA AND GOLD OVER NI IN CONTACT AREA.  
 O-RING: NITRILE

ELECTRICAL:

CONTACT RATING: 0.4VA @ 20 VAC/DC  
 INITIAL CONTACT RESISTANCE: 20 MILLIOHMS MAX.  
 INSULATION RESISTANCE: 1000 MEGOHMS @ 500V DC MIN.  
 DIELECTRIC STRENGTH: **C** 1000 VOLTS RMS AT SEA LEVEL.  
**F** 500 VOLTS RMS AT SEA LEVEL.

LIFE EXPECTANCY: **C** 80,000 CYCLES  
**F** 60,000 CYCLES.

MECHANICAL:

ACTUATION TRAVEL: .035.

ENVIRONMENTAL:

OPERATING TEMPERATURE: -22°F TO +185°F  
 (-30°C TO +85°C)  
 STORAGE TEMPERATURE: -67°F TO +185°F  
 (-55°C TO +85°C)

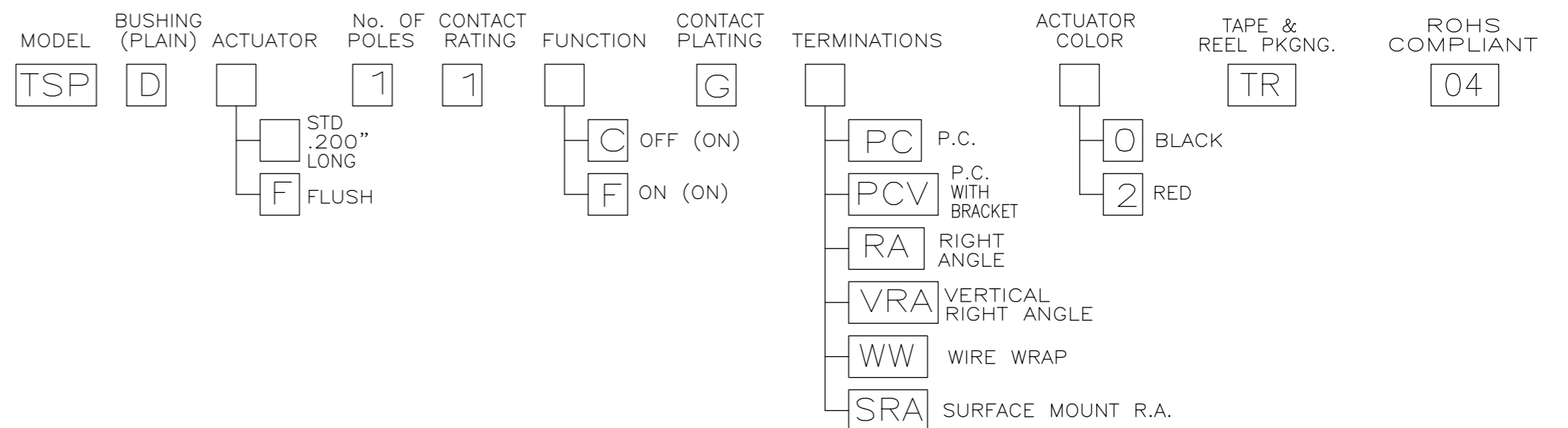
NOTES:

- ALL MATERIALS AND FINISHES COMPLY WITH EU DIRECTIVE 2002/95/EC OF 27JAN2003 (ROHS).
- F FUNCTION NOT AVAILABLE WITH SRA TERMINATION.

FIGURE 1

FUNCTION CHART			
THE FOLLOWING FUNCTIONS AVAILABLE IN SINGLE POLE.			
<b>C</b> 2 POSITIONS	OFF	(ON)	
TERMINALS CONNECTED:		<b>1-3</b>	
OMIT CENTER TERMINAL FOR FUNCTION <b>C</b>			
<b>F</b> 2 POSITIONS	ON	(ON)	
TERMINALS CONNECTED:		<b>1-2</b>	<b>2-3</b>
		OFF INDICATES A MECHANICAL POSITION WITH NO ELECTRICAL CONNECTION.	
		(ON) INDICATES MOMENTARY ACTION	

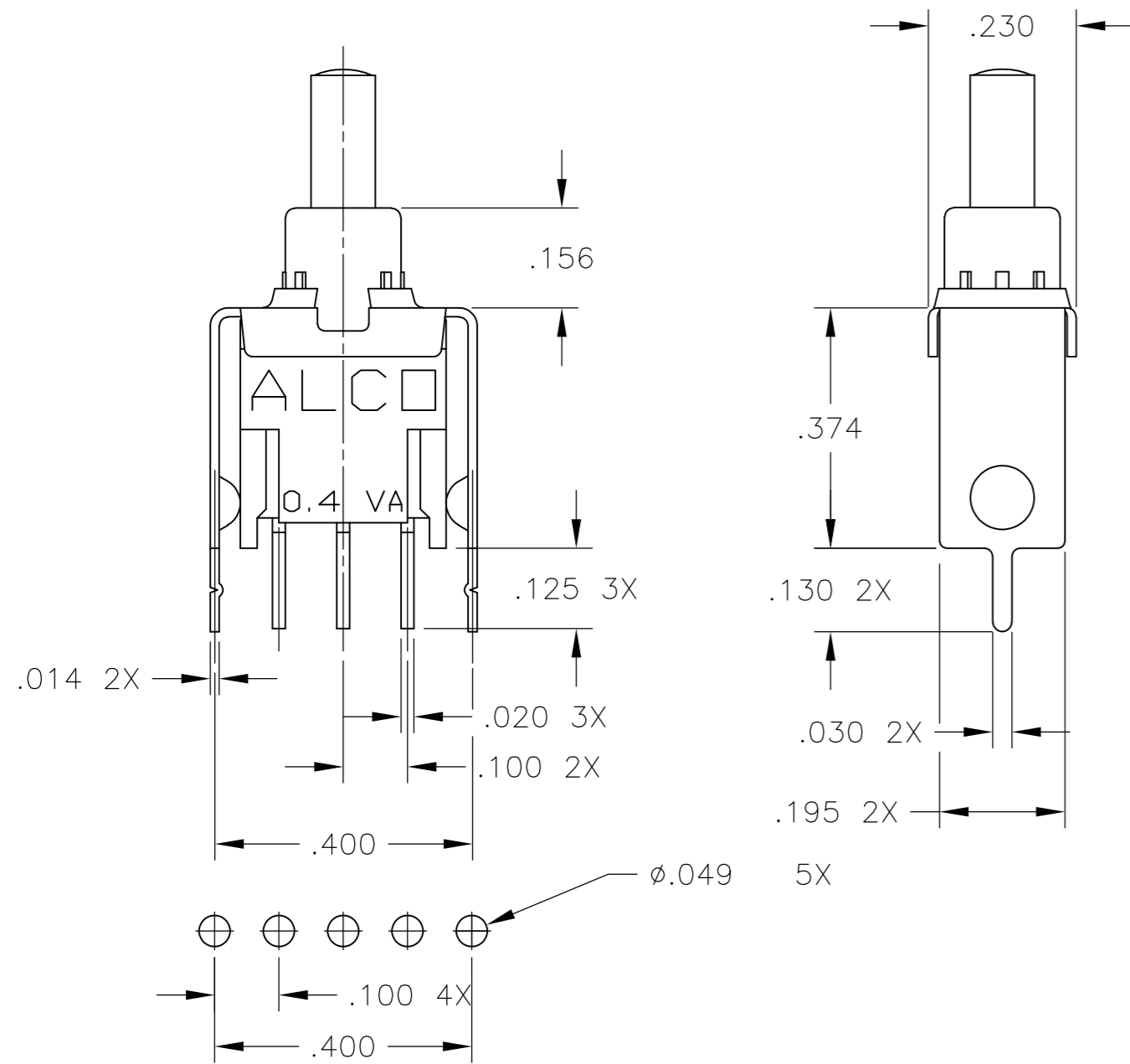
PART NUMBERING SEQUENCE



THIS DRAWING IS A CONTROLLED DOCUMENT.		DWN	M.BINNER	01MAR05	 TE Connectivity				
DIMENSIONS: INCHES		CHK	M.ZITTO	01MAR05					
TOLERANCES UNLESS OTHERWISE SPECIFIED:		APVD	M.ZITTO	01MAR05					
0 PLC ± - 1 PLC ± - 2 PLC ± - 3 PLC ± .010 4 PLC ± - ANGLES ± 1°		PRODUCT SPEC	NAME						
MATERIAL		FINISH		WEIGHT	SEALED PUSHBUTTON SWITCH SINGLE POLE, TSP SERIES, ROHS COMPLIANT				
		CUSTOMER DRAWING		SCALE	4:1	SHEET	1 OF 4	REV	A2

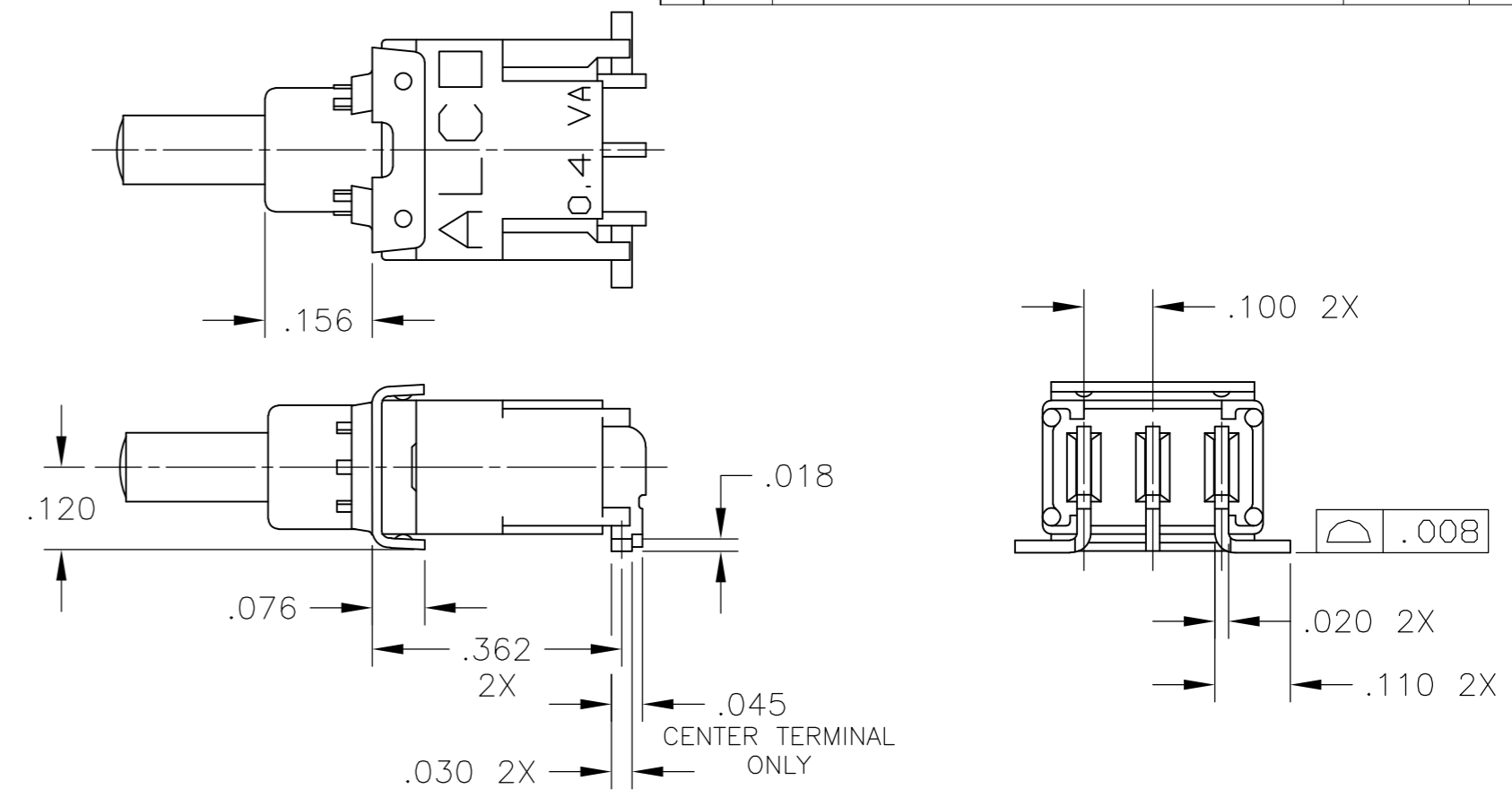
THIS DRAWING IS UNPUBLISHED. RELEASED FOR PUBLICATION  
 © COPYRIGHT - By - ALL RIGHTS RESERVED.

LOC		DIST		REVISIONS			
P	LTR	DESCRIPTION	DATE	DWN	APVD		
AD	00	SEE SHEET 1	-	-	-		



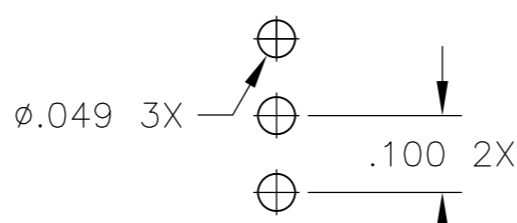
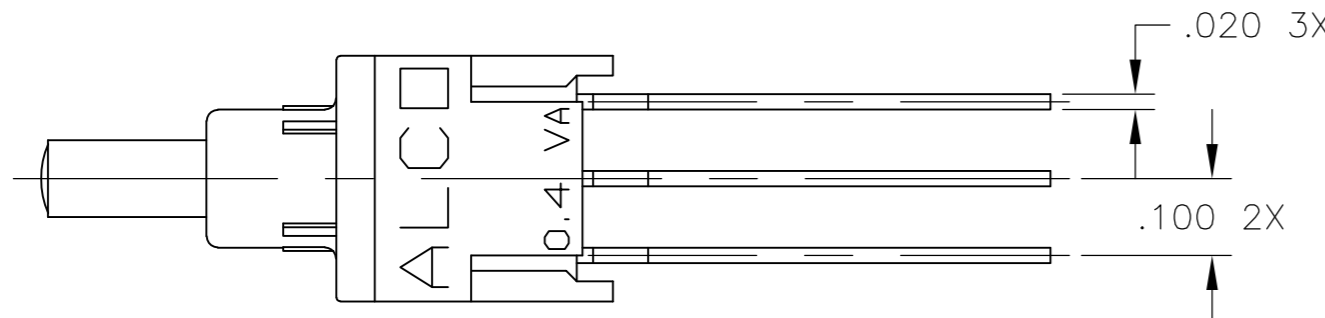
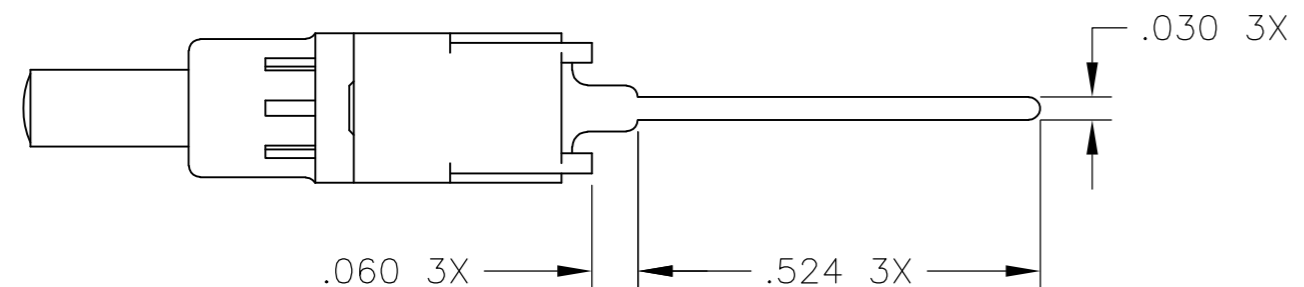
RECOMMENDED HOLE LAYOUT  
 TOLERANCES ±.002 UNLESS  
 OTHERWISE NOTED.

**PCV** PC WITH VERTICAL  
 SUPPORT BRACKET



RECOMMENDED HOLE LAYOUT  
 TOLERANCES ±.002 UNLESS  
 OTHERWISE NOTED.

**SRA** SURFACE MOUNT RIGHT ANGLE,  
 "L" BEND



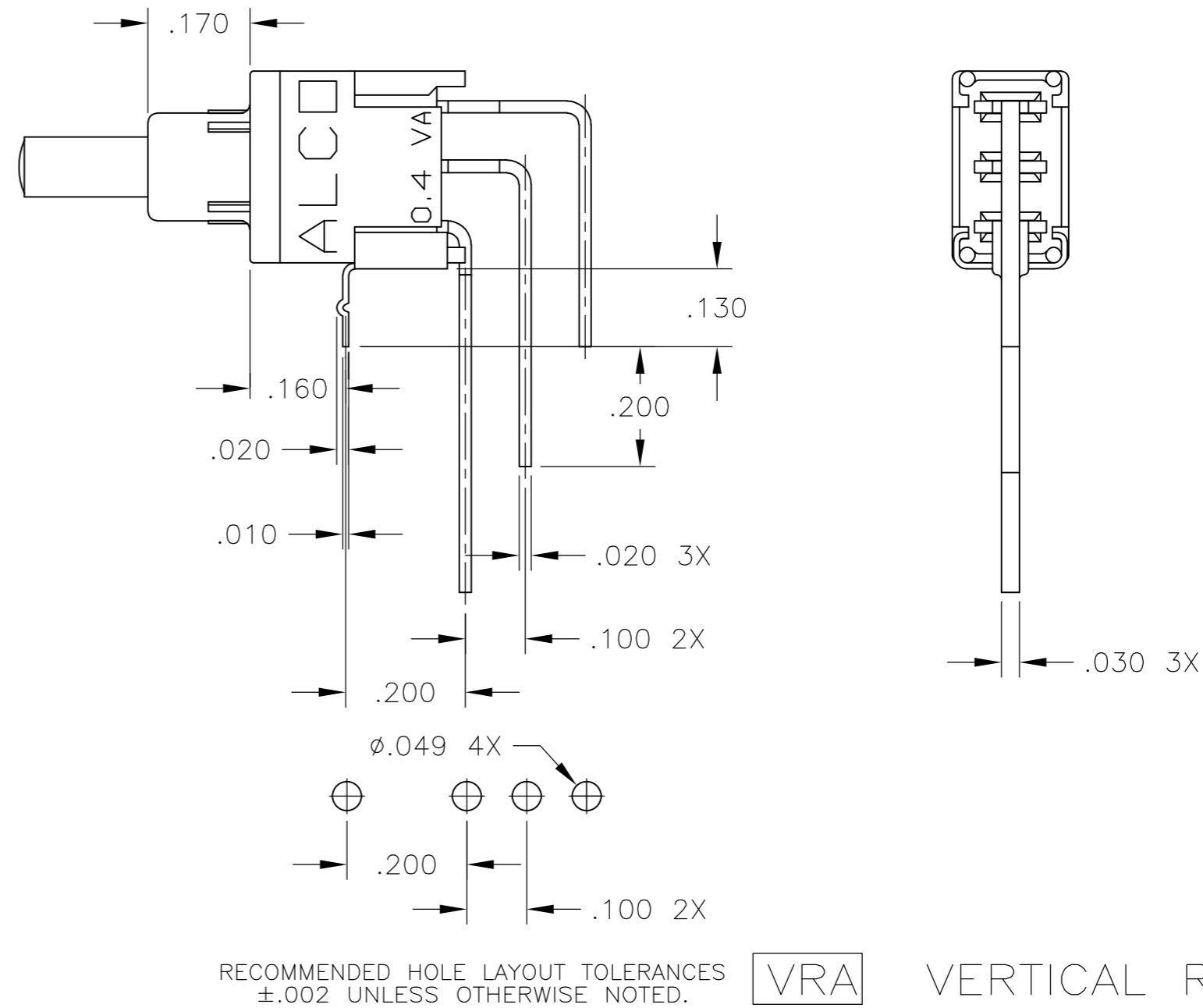
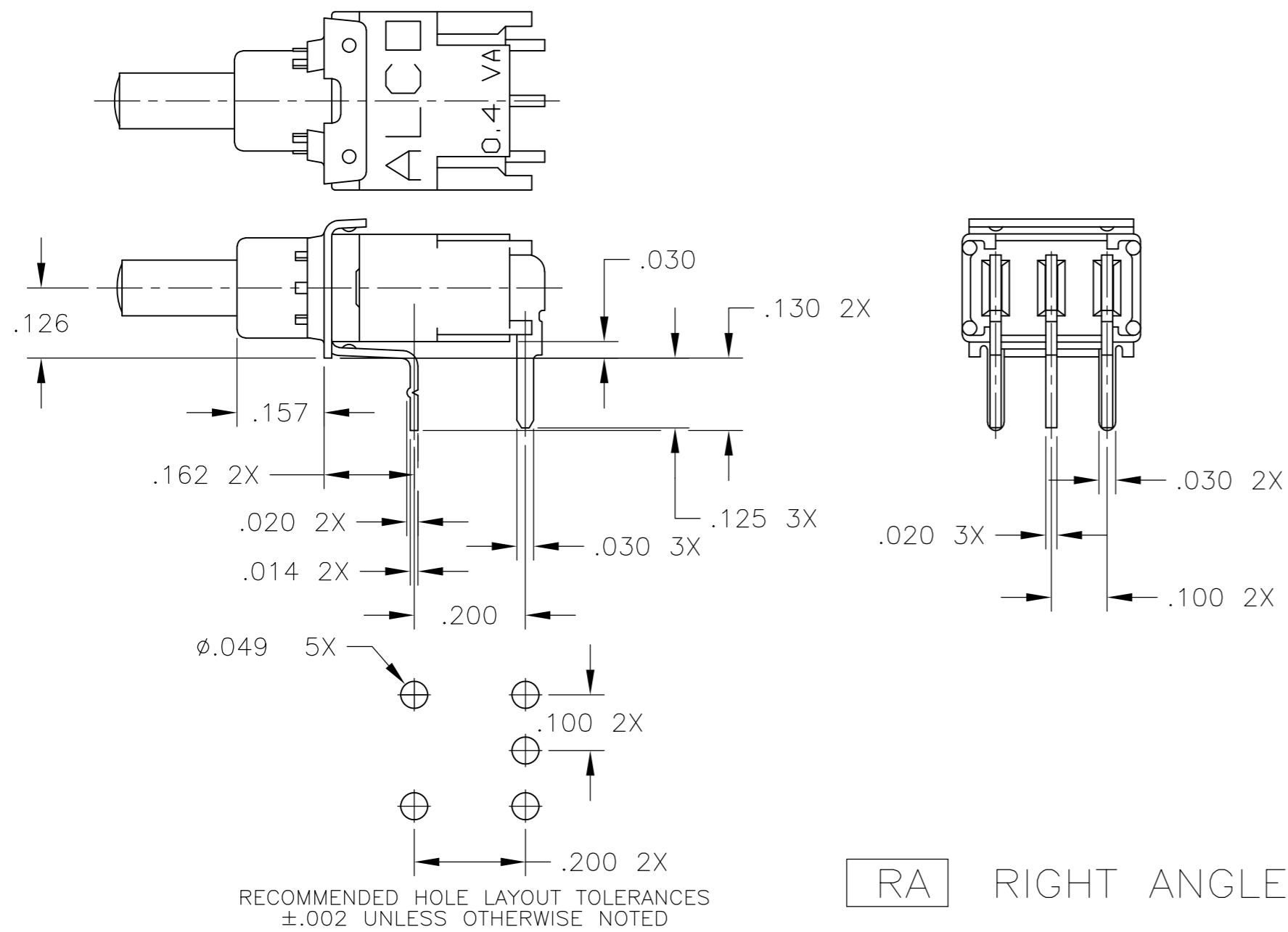
RECOMMENDED HOLE LAYOUT  
 TOLERANCES ±.002 UNLESS  
 OTHERWISE NOTED.

**WW** WIRE WRAP

THIS DRAWING IS A CONTROLLED DOCUMENT.		DWN M.BINNER 01MAR05		
DIMENSIONS: INCHES		CHK M.ZITTO 01MAR05		
TOLERANCES UNLESS OTHERWISE SPECIFIED:		APVD M.ZITTO 01MAR05	NAME	
0 PLC ± - 1 PLC ± - 2 PLC ± - 3 PLC ± .010 4 PLC ± - ANGLES ± 1°		PRODUCT SPEC	SEALED PUSHBUTTON SWITCH SINGLE POLE, TSP SERIES, ROHS COMPLIANT	
MATERIAL		APPLICATION SPEC	SIZE	RESTRICTED TO
FINISH		WEIGHT	A2 00779	-
		CUSTOMER DRAWING	CAGE CODE	DRAWING NO
		SCALE	1571990	
		SHEET	2 OF 4	REV
			A2	A2

THIS DRAWING IS UNPUBLISHED. RELEASED FOR PUBLICATION  
 © COPYRIGHT - By - ALL RIGHTS RESERVED.

LOC		DIST		REVISIONS			
P	LTR	DESCRIPTION	DATE	DWN	APVD		
AD	00						
SEE SHEET 1							




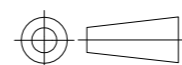
THIS DRAWING IS A CONTROLLED DOCUMENT.		DWN	M.BINNER	01MAR05		TE Connectivity		
DIMENSIONS: INCHES		CHK	M.ZITTO	01MAR05		NAME		
		APVD	M.ZITTO	01MAR05		SEALD PUSHBUTTON SWITCH SINGLE POLE, TSP SERIES, ROHS COMPLIANT		
TOLERANCES UNLESS OTHERWISE SPECIFIED: 0 PLC ± - 1 PLC ± - 2 PLC ± - 3 PLC ± .010 4 PLC ± - ANGLES ± 1°		PRODUCT SPEC	-			SIZE	A2	
MATERIAL		APPLICATION SPEC	-			CAGE CODE	00779	
FINISH		WEIGHT	-			DRAWING NO	C=1571990	
		CUSTOMER DRAWING				RESTRICTED TO	-	
		SCALE	4:1		SHEET	3 OF 4		
					REV	A2		

THIS DRAWING IS UNPUBLISHED. RELEASED FOR PUBLICATION  
 © COPYRIGHT - By - ALL RIGHTS RESERVED.

LOC	DIST	REVISIONS					
		P	LTR	DESCRIPTION	DATE	DWN	APVD
AD	00	-	-	SEE SHEET 1	-	-	-

PRELIMINARY	TSPDF11FGVRA004	3-1571990-1	
OBSOLETE	TSPDF11FGSRA004	<del>3-1571990-0</del>	
	TSPDF11FGRA004	2-1571990-9	
	TSPDF11FGPC004	2-1571990-8	
	TSPDF11CGVRA004	2-1571990-7	
OBSOLETE	TSPDF11CGSRA004	<del>2-1571990-6</del>	
	TSPDF11CGRA004	2-1571990-5	
OBSOLETE	TSPDF11CGSRAB0TR04	<del>2-1571990-4</del>	
PRELIMINARY	TSPDF11CGSRA0TR04	2-1571990-3	
	TSPDF11CGPC004	2-1571990-2	
	TSPD11FGVRA004	2-1571990-1	
OBSOLETE	TSPD11FGSRAB004	<del>2-1571990-0</del>	
	TSPD11FGSRA004	1-1571990-9	
	TSPD11FGSPC004	<del>1-1571990-8</del>	
	TSPD11FGRA004	1-1571990-7	
	TSPD11FGPCV004	<del>1-1571990-6</del>	
	TSPD11FGPC004	<del>1-1571990-5</del>	
	TSPD11CGWW004	<del>1-1571990-4</del>	
	TSPD11CGVRA004	<del>1-1571990-3</del>	
	TSPD11CGSRAB004	1-1571990-2	
	TSPD11CGSRA204	<del>1-1571990-1</del>	
	TSPD11CGSRA0TR04	<del>1-1571990-0</del>	
	SUPERSEDED BY 1-1437573-9	TSPD11CGSRA004	<del>1571990-9</del>
OBSOLETE	TSPD11CGSPC204	<del>1571990-8</del>	
	TSPD11CGSPC004	<del>1571990-7</del>	
	available	1571990-6	
OBSOLETE	TSPD11CGRA204	<del>1571990-5</del>	
	TSPD11CGRA004	1571990-4	
OBSOLETE	TSPD11CGPCV004	<del>1571990-3</del>	
	TSPD11CGPC204	<del>1571990-2</del>	
	TSPD11CGPC004	1571990-1	
	Alco P/N	P/N	

SUPERSEDED BY 1-1437573-9

THIS DRAWING IS A CONTROLLED DOCUMENT.		DWN M.BINNER 01MAR05	 TE Connectivity	
DIMENSIONS: INCHES		CHK M.ZITTO 01MAR05		
TOLERANCES UNLESS OTHERWISE SPECIFIED:		APVD M.ZITTO 01MAR05	NAME SEALED PUSHBUTTON SWITCH SINGLE POLE, TSP SERIES, ROHS COMPLIANT	
 0 PLC ± - 1 PLC ± - 2 PLC ± - 3 PLC ± .010 4 PLC ± - ANGLES ± 1°		PRODUCT SPEC -	SIZE A2	
MATERIAL -		APPLICATION SPEC -	CAGE CODE 00779	DRAWING NO 1571990
FINISH -		WEIGHT -	RESTRICTED TO -	SCALE 1:1
CUSTOMER DRAWING			SHEET 4 of 4	REV A2